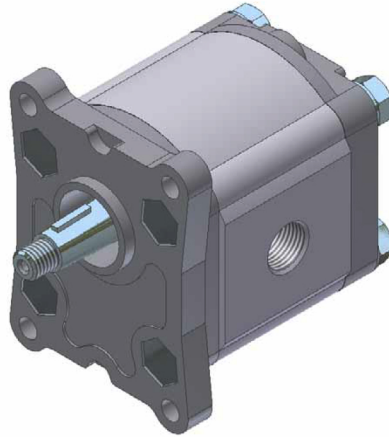


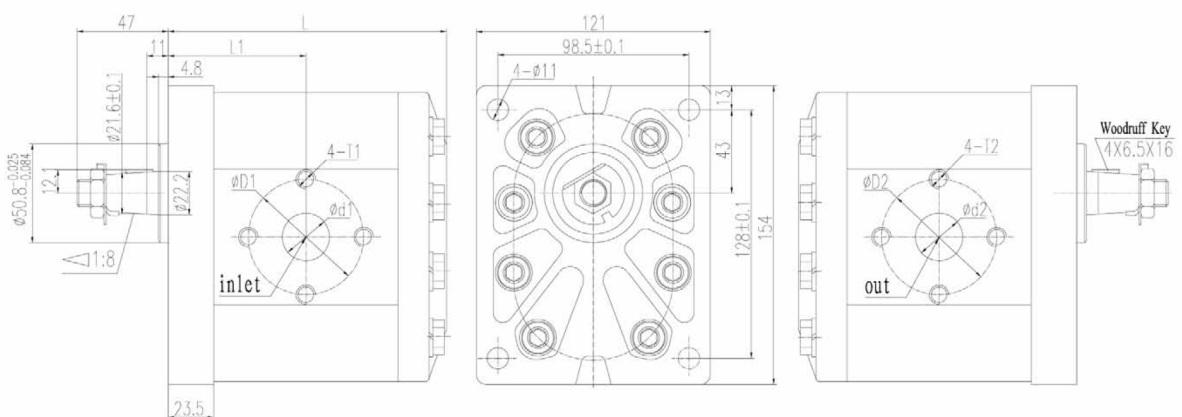
European flange



Type	Displacement c.c.	Pressure Mpa		Speed			L (mm)	L1 (mm)
		Rated	Peak	Rated	Max.	Min.		
VNK-3-22-*-5-*-C	22	25	30	2000	3000	400	128.5	65.5
VNK-3-26-*-5-*-C	26	25	30	2000	3000	400	131.5	67
VNK-3-34-*-5-*-C	34	25	30	2000	3000	400	137	69.8
VNK-3-39-*-5-*-C	39	25	30	2000	3000	400	141	71.8
VNK-3-43-*-5-*-C	43	25	30	2000	2800	400	143.5	73
VNK-3-51-*-5-*-C	51	25	30	2000	2800	400	149.5	76
VNK-3-60-*-5-*-C	60	20	25	1500	2800	400	156	79.3
VNK-3-70-*-5-*-C	70	20	23	1500	2500	400	163	82.8
VNK-3-78-*-5-*-C	78	20	23	1500	2300	400	169.2	85.2
VNK-3-89-*-5-*-C	89	18	20	1500	2000	400	174.2	88.2

Rotation: A Left C Right

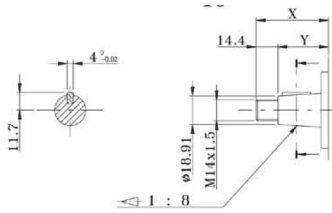
Dimensions:



Flange type 5

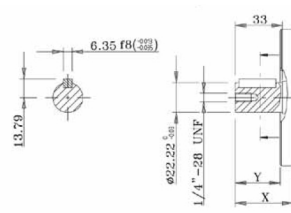
Shaft

Type 2



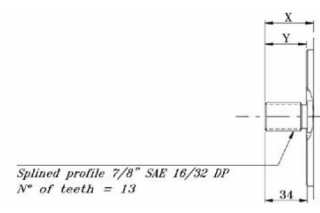
Flange type	X	Y
European	47.2	32.8
SAE B	50.2	35.8

Type 14



Flange type	X	Y
European	38	33
F50C	41	31.5

Type 15

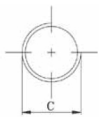


Flange type	X	Y
European	38.2	33.2
F50C	41.2	31.7

PORTS INLET/OUTLET

Shape G

OUTLET



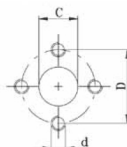
INLET



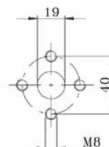
Type	Flange
34	G3/4
10	G1"

Shape R

OUTLET



INLET



Type	threads
40	Ø40 M8
51	Ø51 M10
62	Ø62 M10

Ordering code

